

RMG - GABRO

Members of the **MJ ALLEN** Group of Companies

SF600



RMG - GABRO LTD

HILTON ROAD, COBBS WOOD INDUSTRIAL ESTATE, ASHFORD, KENT TN23 1EW
TELEPHONE: (01233) 628976 FAX: (01233) 643534



WARNING

BEFORE ANY MACHINE IS USED BY AN EMPLOYEE OR IS LOANED OR RENTED, MAKE ABSOLUTELY CERTAIN THAT THE OPERATOR(S), PRIOR TO OPERATING:

- 1.) IS INSTRUCTED IN SAFE AND PROPER USE.
- 2.) REVIEWS AND UNDERSTANDS THE MANUAL(S) PERTAINING TO THE MACHINE.

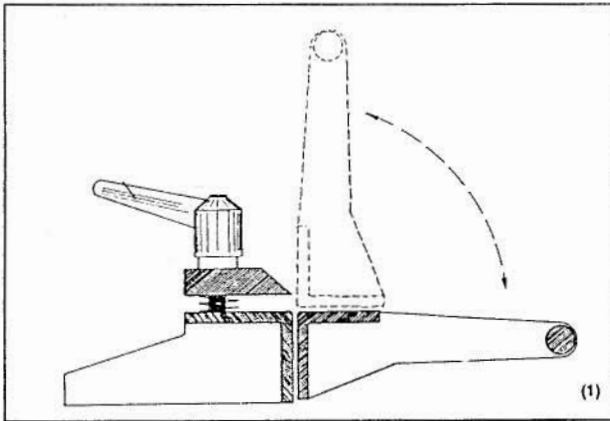
IT IS THE USER'S RESPONSIBILITY TO UNDERSTAND AND FOLLOW THE MANUFACTURER'S INSTRUCTIONS ON MACHINE OPERATION AND MAINTENANCE, AND TO OBSERVE PERTINENT LAWS AND REGULATIONS.



REMEMBER, a careful operator is always the best insurance against an accident. Give complete and undivided attention to the job at hand.

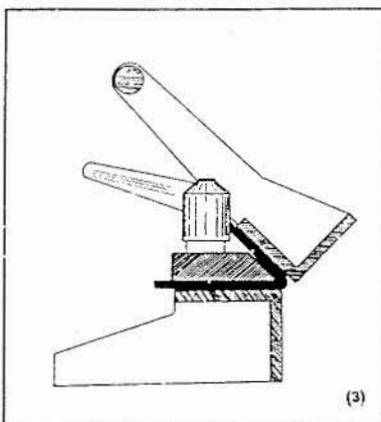
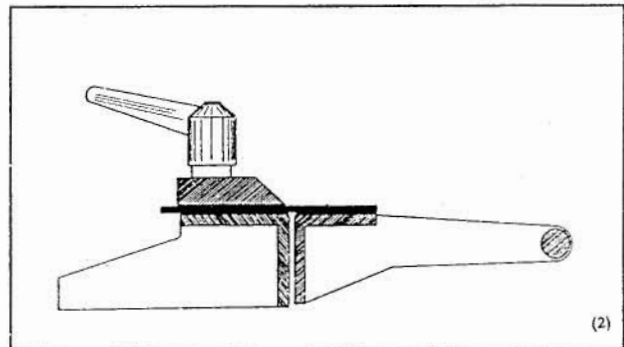
GABRO

SF600 FOLDER



**Sheet metal folding
made easy for
industry, training
and model
engineering**

**TAKES ONLY
SECONDS FOR
A REALLY
PROFESSIONAL
FINISH.**



SPECIFICATIONS

Width	600mm	300mm
Maximum thickness - Mild Steel	0.8mm	1.25mm
Maximum thickness - Aluminium	1.25mm	2.0mm
Dimensions: 752mm wide x 300mm deep x 130mm high.		
Weight: 11.0kg.		

